



ADX150

wireless
ready ((●))



INSTRUCTION MANUAL

Contents

pages

Introduction	2
Description.....	4
Assembly.....	5
Alkaline Batteries, Battery Life, Battery Low Alert	7
Controls.....	9
Detecting Techniques	10
Care Instructions	11
Trouble shooting problems	12
Advice to detectorists	13
Specifications	14
XP Accessories.....	15
Warranty conditions	17

INTRODUCTION

1

CONGRATULATIONS ON PURCHASING AN XP METAL DETECTOR AND WELCOME TO THE WORLD OF RESEARCH AND EXPLORATION!

You have invested in a high tech detector with extreme performance, designed and developed in France. Therefore, you are taking part in the development of the research in the field of metal detecting undertaken by our company, we thank you for that.

Our metal detectors are a clever combination of analog/digital technology and benefits from the latest advances in the field. Our knowledge of that technology has led us to include a microprocessor, analysing discrimination signals. This microprocessor, faster for discrimination signal analysis, gives our detectors an increased power and stability, as well as a better rejection of unwanted targets. The simplicity of the discrimination adjustment will allow you to adjust it to the ground you wish to detect. Our high sensitivity "double D" search coils, provide very good ground penetration.

The ADX150 functions were simplified to the maximum in order to give to the beginners an easy access and a great ease of use, while profiting from optimal performances.

Up graded from the ADX100, ADX150 have now our XP wireless headphone transmitter (channel 1) already built into its circuit board. Then you can decide at any moment to get one of our optional wireless headphone WS2 or WS3.

You will appreciate the sturdiness and the manufacturing quality of our equipment. Because a metal detector is generally used in extreme conditions, we have given full attention to the most sensitive parts.

INTRODUCTION

1

ADX150 is been developed and manufactured with quality components and material, thus ensuring your XP detector a maximum useful life.

- **Connector XP : designed to resist movement failures, moulded, completely waterproof,**
- **Very resistant Cable, double electromagnetic shield, designed to resist movement failures.**
- **Robust, waterproof and lightened search coil. ADX150 is fitted with a new DD 9” (22.5cm) carbon fibre search head with a more robust coil cover.**
- **Very resistant polypropylene armrest,**
- **Telescopic stem, stored away instantly and easier handled**
- **Fibreglass lower stem.**

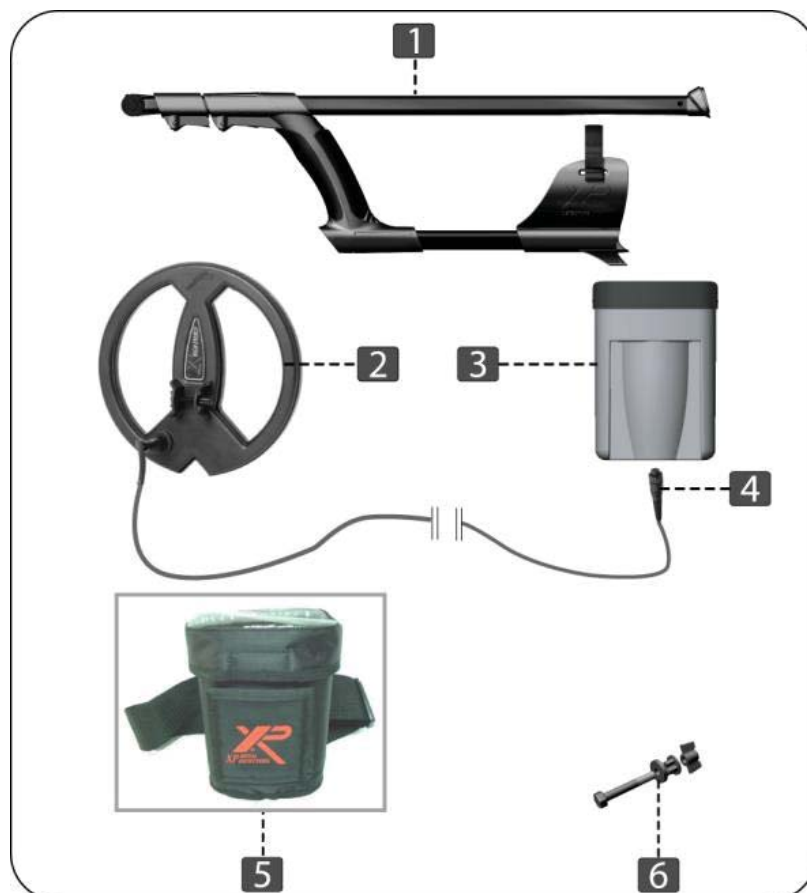


Before using your detector for the first time, we recommend that you read this instruction manual carefully in order to make full use of its abilities.

DESCRIPTION

2

- 1 - Full telescopic stem, includes a fibreglass impregnated lower stem.
- 2 - Robust, waterproof search coil. Diam.9" (22.5 cm), provided with coil cover.
- 3 - ABS electronics box
- 4 - Specific XP connector, Waterproof.
- 5 - Hipmount bag
- 6 - Coil fixing system



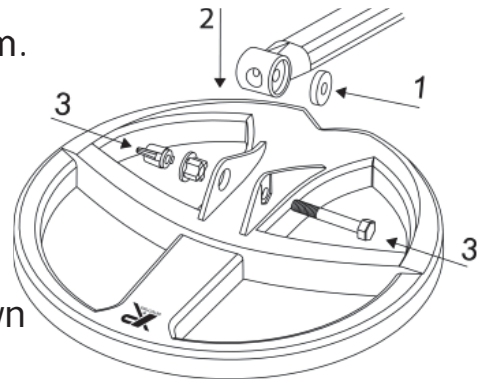
ASSEMBLY

3

The assembly of your detector will only take you a few seconds.

Put the shaft together as shown on the diagram.

- Put the rubber washers on the side of the fibreglass tube (1).
- Insert the fibreglass tube on the search head (2).
- Insert the new coil fixing parts as shown on the diagram and screw (3).

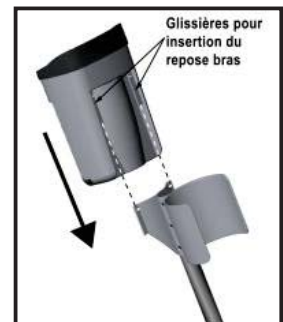


The electronic box of your detector can be positioned in 2 different ways:

Option 1 : Under the armrest



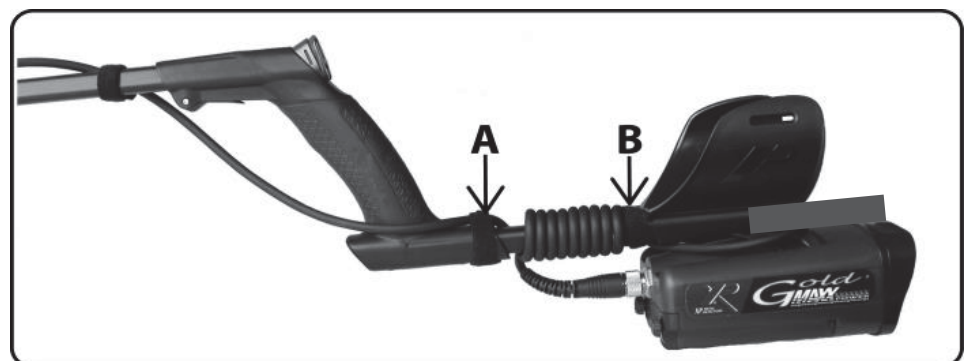
To fix it, insert the 2 wings of the armrest in the slides of the electronic control unit, as indicated on the diagram.



Once the control box in place under the armrest, wind the cable around the telescopic shaft as indicated on the photo.

Use the 2 pieces of Velcro® (A and B) to keep the cable in a spiral position.

Insert now the connector (female) in its panel connector (male), screw it, the connector is now watertight.



ASSEMBLY

3

To hold the cable along the telescopic stem you can use Velcro® strip as shown on the photo below(C & D).

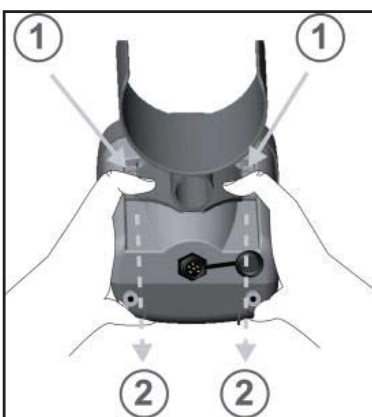


Option 2 : Electronic box hipmounted



Insert the control box into the hipmount bag. Then insert the connector (female) in its panel connector (male) and screw it.

① Removal of control box



To remove the control box from the armrest, proceed as indicated below. Put your hands around the control box and press slightly with your thumbs on the side of the armrest (1).

Whilst you keep the pressure on, slip the armrest off, and remove completely the control box from the armrest (2).

The hipmount bag provided with your detector can allow you to protect your detector from rain when the electronic box is fixed on the armrest.

ALKALINE OR RECHARGEABLE BATTERY, BATTERY LIFE, BATTERY LOW ALERT

4

ALKALINE BATTERIES

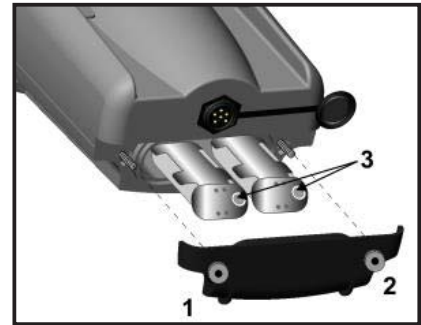
ADX150 is powered with 12 volts from 8 AA Alkaline batteries using 2 batteries holders, 4 batteries each.

Pay close attention to the battery \pm polarity before inserting the batteries holders in the electronic box.



electronic box.

The metal rivets (3) of the batteries holder must be on the right. Screw the nuts 1 and 2 to close the batteries lid.



In the event of nonprolonged use, remove the alkaline batteries from the detector.

BATTERIES

To power your detector you can use rechargeable battery.

The insertion of the rechargeable battery is similar to the Alkaline batteries.

Recharging the batteries can be done in a very simple way:

Always turn off the detector before recharging batteries. Remove the search coil connector of the electronic box and insert the charger instead. 12 to 18 hours are necessary to have a full recharge.

Avoid leaving the batteries recharging for more than 20 hours.

WARNING! Before inserting your charger, check that you are not recharging Alkaline batteries.

**ALKALINE OR
RECHARGEABLE
BATTERY, BATTERY
LIFE, BATTERY LOW
ALERT**

4

BATTERY LIFE _____

Alkaline batteries

about 50 hours with headphones.

Batteries NiMh 2300 mA

about 40 hours with headphones.

BATTERY LOW ALERT _____

When the alkaline batteries' voltage is too low, the detection "beep" of a metallic target radically changes, it becomes more high pitched.

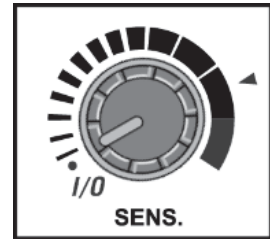
From then, you only have a few detecting hours left, depending on the batteries you are using. This has the advantage of warning you in plenty of time about the low condition of the batteries without hindering you whilst searching.

CONTROLS

5

START I/O, SENSITIVITY _____

Turn the machine on with the SENSITIVITY I/O control. You will hear some quick "beeps" which will tell you that the detector is correctly operating. Then you can detect.



Avoid testing your detector inside your house or in shops because you can encounter a lot of metallic and electromagnetic pollution (reinforced concrete, metallic girder and fluorescent lights).

The control also enables you to adjust the sensitivity of your detector. The sensitivity level determines the depth of detection and the stability of your machine. It can be adjusted to suit the environment so as not to be plagued with false signals.

DISCRIMINATION _____

Discrimination allows you to mask some type of metal targets. While turning the control, you can choose your level of discrimination according to your needs.

Switched to All Metal position, discrimination control is deactivated, your detector pick up all the targets, ferrous or not-ferrous. This position will enable you to better locate the ferrous targets.



From level 1, you start to discriminate the ferrous targets.

Between level 6 and 10, you can for example reject the small aluminium foil.

Set low levels of discrimination, which will enable you to find small targets more easily.

Before the first use of your detector, familiarise with metal test targets (Ferrous / Non-Ferrous).

A non-ferrous target will produce a deep, full sound which can be repeated at the same spot with each sweep. Most of the ferrous targets will be silent or might produce a choppy sound (short "pops" or "clicks") which can be easily recognised.

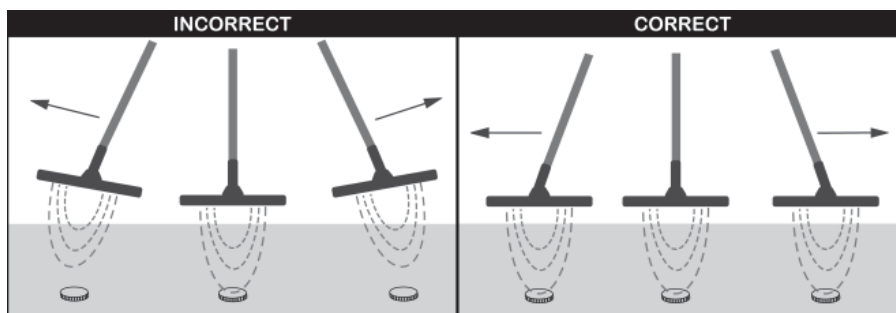
DETECTING TECHNIQUES

6

ADX150 is a motion detector, which means that a target detection can be carried out only when the search coil is moving.

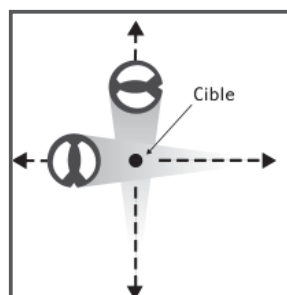
When you detect an area, it is important to sweep with the head as close as possible to the ground with wide movements, but not making contact with the ground.

Keep the head parallel to the ground following the relief as much as possible.



To pinpoint a target, use quick crossed sweeps, with the coil over the target taking note of where the strongest audio signal is received.

The exact location of the target is under the centre line of the search coil from front to back and can then be determined by 'x ing'.



CARE INSTRUCTIONS

7

Our detectors are designed to be as robust as possible, however, like any electronic precision instrument, they require some care.

The XP search coil cable has been designed so as to resist long term movement. However you should take some precautions and prolong the life of your detector :

- ⇒ to remove the connector from the control box, it is important never to pull the cable but the connector.
- ⇒ It is important to leave enough slack at the bottom of the cable near the coil to allow for adjusting the coil angle without placing strain on the coil.
- ⇒ It is important not to replace the Velcro with tape as this will centre the movement on one single part of the cable.
- ⇒ when the box is hipmounted, put it on your side or on your back in order not to fold the cable of the connector when you lean forward. (Diagram 1)
- ⇒ when the box is hipmounted, to prevent strain on cable and connector, you should slide the cable through the hipmount bag belt strap. Diagram 2

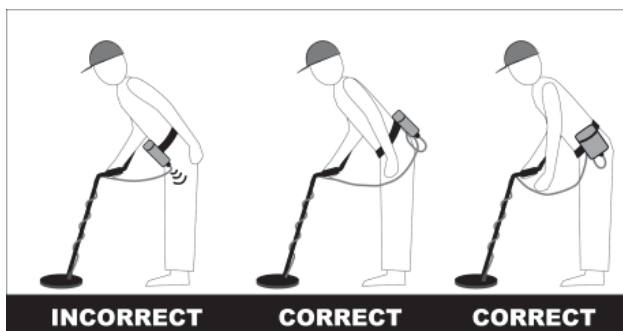


diagram 1

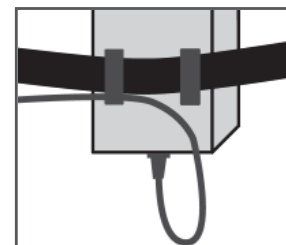


diagram 2

Not adhering to these precautions will lead to long term damage of the cable and void the warranty due to user negligence.

⚡ In the event of nonprolonged use, remove the alkaline batteries from the detector.

⚡ Do not expose your detector to high temperatures.

TROUBLE SHOOTING PROBLEMS

8

TROUBLE	CAUSES	SOLUTIONS
The sound changes its tone, it becomes more high pitched when encountering metallic targets .	Low batteries.	Change the batteries .
	Polarity of the batteries is wrong	Check if you have correctly inserted the batteries in each pack. One battery might be in the wrong position.
You can't switch on your detector.	Batteries are badly inserted or upside down.	Check the way the batteries have been inserted in the 2 batteries holder (refer to chapter IV)
	A 6.35 plug converter is inserted in the headphone plug.	Remove it.
	The loudspeaker is defective.	Plug in headphones to check.
You notice excessive false signals without reason	The sensitivity is too high	Lower it.
	Your headphone cable is defective.	Change the headphones.
	You are passing through an area with a lot of interference (high voltage cable, electrical transformer, electric fence).	Lower the SENSITIVITY or get away from this area.
	You are close to other metal detectors.	Move away or lower the SENSITIVITY.

If the problem persists, contact your retailer for advice.

Detecting is an activity, which like other leisure activities requires some guiding principles. These few recommendations will allow you to fully enjoy it while respecting laws, environment and other people.

- *Enquire about and abide by the laws in force of the country or the state before searching. It is of your responsibility to know them and to abide by them.*
- *Always ask the permission of the land owners where you want to search.*
- *Have regard for the natural environment in which you are searching.*
- *Don't forget to backfill all holes you dig.*



Avoid detecting in zones where battles took place during the wars. Report any suspect object you might discover to the authorities.

S P E C I F I C A T I O N S

10

BATTERIES

8 AA Alkaline batteries.

Rechargeable batteries NiMh 2300 mA can be used instead of Alkaline batteries.

ELECTRONIC BOX

ABS electronic box. It can be worn under the armrest or hip-mounted.

SEARCH COIL

Wide scan (Double D), Diameter : 9" (22.5 cm), provided with coil cover. Cable length : 2.35 m

SHAFT

Full telescopic stem, provided with fibreglass lower stem. This telescopic stem can be stored away instantly and easier handled

LOUDSPEAKER

28 mm, 8 ohms, Weather resistant

HEADPHONES

Jack 6.35 stereo. Backphone with audio level adjust provided.

FREQUENCY

4600 HZ

WEIGHT

Box	340 gr
Head with cable	480 gr
Head + shaft + control box	1450 gr
Full package	2200 gr

XP ACCESSORIES

11



Standard Search coil DD 9"
(22.5 cm) provided with coil cover

Search coil DD High Energy 11" (27 cm)
provided with coil cover



Elliptical Search coil
5" x 10" (11/24cm)
provided with coil cover

Concentric search coil 10"x8"
- 25*21 cm
provided with coil cover



Search coil DD 18"x15"-
45x38 cm

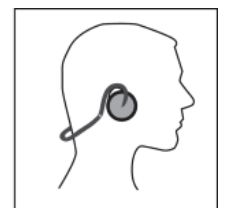
Search coil DD 14"x11"-
30x36 cm
Provided with coil cover



Hipmount bag. It can be used to protect electronic box from rain fixed on armrest or hipmounted.

FX-02 Headphones :

- Audio level adjust
- Impedance and sound adapted to our detectors
- 6.35 jack adaptor
- Foldable in 3 parts
- Optional protection box

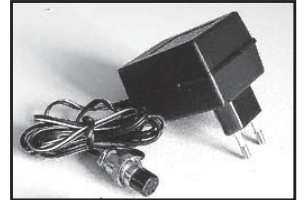


XP ACCESSORIES

11



XP transport bag



Batteries charger



Wireless Headphone WS2

2 Channels

Specially designed for XP Metal Detectors.



Wireless Headphone WS3

Specially designed for XP Metal Detectors.

WS2 and WS3 specifications

- ✓ 2 selectable channels.
- ✓ Digital sound transmission by microprocessor
- ✓ The radio transmitter is directly integrated into all our detectors' circuit boards.
- ✓ Miniaturised electronics
- ✓ Headphone built in edge extra flat rechargeable Lithium battery (7g)
- ✓ battery life : 50 hours
- ✓ Fast Lithium charger: full charge in 2 hours.
- ✓ Charge monitoring system and full charge LED
- ✓ Adjustable/Memorizable volume

WS2 specifications only

- ✓ Removable earpiece
- ✓ Compact and lightweight, the headphone weighs less than 70g, battery included

WARRANTY CONDITIONS

12

ADX150 – 5 YEARS LIMITED WARRANTY

XPLORER ensures a contractual warranty from the date of purchase:

- 5 years on the electronic box, the search coil, detector shaft and its components (armrest, twist lock...) and on the battery charger.

This warranty does not cover:

- Breakage caused by falls, impacts or accidental damage
- Damage caused by abnormal use or resulting from non-compliance with the conditions of use stipulated in the device's instructions
- Alteration of the electronic circuit by any unauthorized person.
- Using without coil cover, or using defective coil cover
- Corrosion of electronic circuits, due to water ingress
- Breakage of cables or wires

Spare parts are not covered by the 5 years warranty:

- Parts that are subject to normal wear and tear like: coil cover, coil bolts & fittings, cases etc... (These parts must be replaced in case of wear and tear, in such a way that no damage will be caused to the device).

In the event of any fault or malfunction please contact your XP dealer for advice, should any part require returning to them or the distributor it must be accompanied by a note explaining the fault, carriage/shipping cost is the customer's responsibility. Proof of Purchase is required to make a claim under this warranty. If a faulty device has been replaced by a new or reconditioned one, the warranty will continue from the original purchase date.

XPLORER reserves the right to change the design or specifications of its detectors without notice.

Declaration of conformity for E.C



This declaration is the responsibility of manufacturer:

XPLORE SARL - ZI DE VIC - 8 rue du développement
31320 CASTANET TOLOSAN - France

This certifies that the following designated product is in conformity with EEC directives 2004/108/CE & 92/31/EEC in accordance with standard : EN 55022

And complies with the essential protection requirements of R&TTE Directive 1999/5/EC on the approximation of the law of the Member States relating to the Radio Spectrum Matters, EMC and Electrical Safety.

Assessment of compliance of the product with the requirements relating to the essential requirements of the Directive and the unified standard EN301489-3 V, EN300220-2 V2.1.2 and EN300330.

Disposal of Waste Electrical and Electronic Equipment in the European Union and Other Countries/Regions with Separate Collection Systems



Systems

This symbol on the product or its packaging means that this product must not be disposed of with your household waste. Instead, it is your responsibility to hand this over to an applicable collection point for the recycling of electrical and electronic equipment. This separate collection and recycling will help to conserve natural resources and prevent potential negative consequences for human health and the environment, which inappropriate disposal could cause due to the possible presence of hazardous substances in electrical and electronic equipment. For more information about where to drop off your electrical and electronic waste, please contact the shop where you purchased this product.



www.xpmetaldetectors.com

_____ Web site

e-mail _____ info@xpmetaldetectors.com

XPLORER sarl - ZI de vic - 8 rue du développement
31320 CASTANET TOLOSAN - FRANCE

XP is an XPLORER sarl Trade mark